

NUCTECH™ CX180180DH

X-ray Inspection System



Product Overview

NUCTECH™ CX180180DH X-ray Inspection System, NUCTECH's new generation product of dual-view dual-energy X-ray inspection machine for inspection of large parcels as well as pallet cargoes.

CX180180DH employs dual-view design, images of each view will be shown on a dedicated monitor, thus dangerous objects and contrabands hidden beneath overlapping area are more likely to be found and located.

It stands out with more modern and ergonomic design for efficient and professional X-ray screening. With the tunnel dimensions of 1843mm width and 1820mm height, it is perfectly suitable for inspections of large luggage, pallet cargoes at airports, customs, railway stations, ports, logistics company and warehouse, etc.

Technology Features

- State-of-the-art technology for superior image quality with wire resolution of 34 AWG and steel penetration up to 70mm
- X-ray leakage around the equipment is close to the natural background level, which meets all published international health and safety standards
- Automatic detection and alarm of explosives and drugs
- Support stepwise, continuous and local zoom functions to enlarge the scanning images in flexible and quick ways
- Images can be saved as general image format, e.g. BMP, JPG and PNG, and be transferred to USB storage devices
- Ergonomic keyboard and user interface design ensure the efficiency and professionalism of the X-ray screening operation
- Modular design and construction combined with full built-in diagnostic facility guarantee the efficiency of equipment maintenance

Technical Specifications

General Specifications

Tunnel Dimensions	F843mm(W) × 1820mm(H)
Conveyor Speed	0.20m/s
Conveyor Height	320mm
Max. Load	2000kg

Image Performance

Wire Resolution	34 AWG
Steel Penetration	70mm
Display Resolution	1280 × 1024

Image Processing System

Image Enhancement	Color/BW, negative, high/low penetration, organic /inorganic stripping, general enhancement, multi-absorptivity, and suspect material enhancement, etc.
Material Classification	According to atomic number signatures
ROI & Zoom	Step/stepless zoom, up to 32 times enlargement
Image Recall	Preceding images recallable
Image Storage Capability	Up to 50,000

Miscellaneous Functions

Standard Functions	Time/date display, counters, user management, system-on/X-ray-on timers, power on self test, built-in diagnostic facilities, dual-direction scanning, system log, system standby and training, etc.
Optional Functions	Explosives/narcotics detections, high-density area alert, threat image projection (TIP)

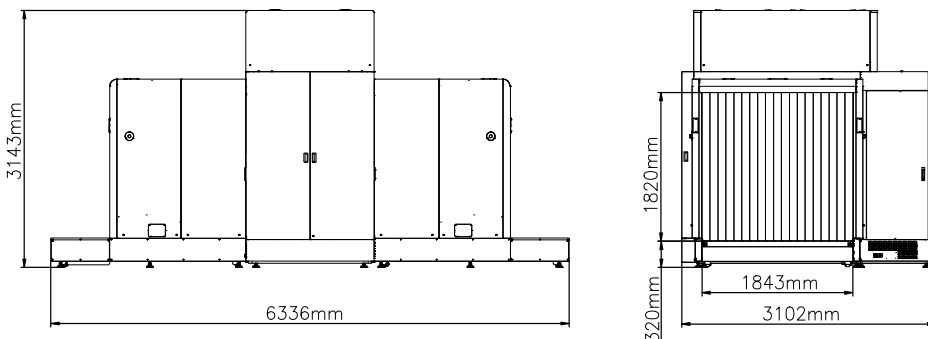
Health and Safety

X-ray Leakage	Less than 1μGy/h (5cm from the housing), complying with all published international standards
Film Safety	Guaranteed for high speed film up to ASA/ISO1600 (33DIN)

Installation Data

Dimensions	6336mm(L) × 3102mm(W) × 3143mm(H)
Weight	5770kg
Storage Temperature / Humidity	-40°C ~ +60°C / 5% ~ 95% (non-condensing)
Operating Temperature / Humidity	0°C ~ +40°C / 5% ~ 95% (non-condensing)
Power Supply	220VAC (-15% ~ +10%), 50 Hz/60Hz ±3Hz
Power Consumption	4.5kVA

Note: Image performance specifications are based on test piece complying with CAAC standard.



NUCTECH COMPANY LIMITED

Address: 2/F Block A, Tongfang Building,
Shuangqinglu, Haidian District,
Beijing 100084, P.R.China
Tel: +8610 50980999
Fax: +8610 62788896

NUCTECH HONG KONG COMPANY LIMITED

Address: Rooms 1403-04 on the 14th Floor
of China Resources Building, No.26
Harbour Road, Wanchai, Hong Kong
Tel: +852-27221828
Fax: +852-27221849

NUCTECH SYDNEY PTY LTD.

Address: Suite 404, 77 Dunning Avenue,
Rosebery NSW 2018 Australia
Tel: +612 96622307/96622317
Fax: +612 96622371

NUCTECH WARSAW COMPANY

LIMITED SP. Z O. O.
Address: ul. Pandy 18,02-202 Warsaw Poland
Tel: +48 22 6591545
Fax: +48 22 6581483

NUCTECH COMPANY LTD SUC.

ARGENTINA
Address: ECHEVERRIA 1515, 6A, BELGRANO,
CABA, CP1428. ARGENTINA
Tel: 0054-11-4782 2486
Fax: 0054-11-4785 0726-108

NUCTECH COMPANY LIMITED (VENEZUELA BRANCH)

Address: Av. San Juan Bosco, Entre 2da y
raTransversal, Centro Altamira, Piso 14,
Ofc. "C", Caracas, Venezuela
Mobile: +58412 321 7001
Tel: +58212 261 1050/261 9074
Fax: +58212 261 0618

NUCTECH MIDDLE EAST FZE

Address: Office 321, Building 5 A, Dubai Airport
Free Zone, P.O.Box 371820, Dubai, U.A.E
Tel: +971-4-2602308
Fax: +971-4-2602306
Email: cuiwei@nuctech.com

Nuctech South Africa (Pty) Ltd.

Address: Unit B13, 5 Galaxy Ave, Linbro Business
Park, Sandton, Johannesburg, South Africa
Tel: +27 (11) 6080480
Fax: +27(11) 6080525

NUCTECH DO BRASIL LTDA.

Address: Rua Bandeira Paulista Road No. 530,
9th floo , room No.91-94, Itaim Bibi
District, São Paulo/SP, Brasil
Tel: +55-11-30785449
Fax: +55 11 30785759

Copyright ©2017 NUCTECH COMPANY LIMITED. All Rights reserved.
Design and specifications are subject to change without notice.
Printed in CHINA, Mar 2017.

170324



NUCTECH HAS BEEN AWARDED THE CERTIFICATE OF QUALITY MANAGEMENT SYSTEM (ISO9001:2000)
NUCTECH HAS BEEN AWARDED THE CERTIFICATE OF ENVIRONMENTAL MANAGEMENT SYSTEM (ISO14001:2004)
NUCTECH HAS BEEN AWARDED THE CERTIFICATE OF OCCUPATIONAL HEALTH AND SAFETY MANAGEMENT
SYSTEM(OHSAS18001:2001)

