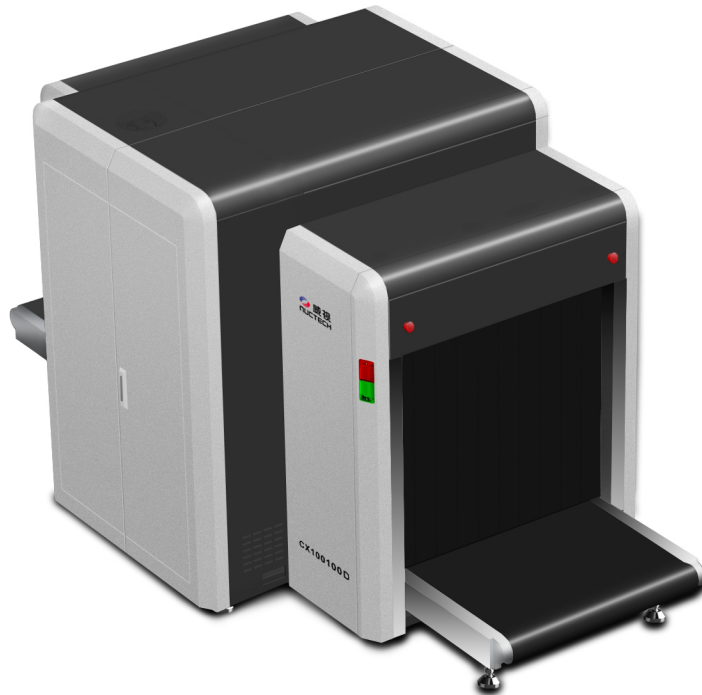


NUCTECH™ CX100100D X-RAY INSPECTION SYSTEM



Introduction

NUCTECH™ CX100100D X-ray Inspection System, NUCTECH's new generation product of dual-view dual-energy X-ray inspection machine for inspection of large luggage, baggage and small cargoes. CX100100D employees dual view design, images of each view will be shown on a dedicated monitor, thus dangerous objects and contrabands hidden beneath overlapping area are more likely to be found and located. It stands out with more modern and ergonomic design for efficient and profession I X-ray screening. With the tunnel dimensions of 1010mm width and 1005mm height, it is perfectly suitable for baggage inspection in airports, railway stations, customs, ports and stadiums, etc.

CX100100D combined with unsurpassed operation ergonomics, reliability and safety can provide excellent image quality and advanced material classification. CX100100D offers explosive and drug auto detection as optional.

Technology Features

- Based on dual-view advanced technology meeting high level security and operational effectiveness demands
- High image quality with wire resolution of 38 AWG and steel penetration of 35mm
- X-ray leakage around the equipment is close to natural background level, which meets all published international health and safety standards and ensures the radiation safety of operators as well as the public
- Automatic detection and alarm of explosives and drugs
- Support stepwise, continuous zoom and magnifier functions to enlarge images
- Images can be saved as general image format, such as BMP, JPG and PNG, and be transferred to USB storage devices
- Ergonomic keyboard and operator interface design ensure the efficiency and professional of the x-ray screening operation
- Modular design and construction combined with full built-in diagnostic facility guarantee the efficiency of equipment maintenance

Technical Specifications

General Specifications

Tunnel Dimensions	3595mm(W) × 1005mm(H)
Conveyor Speed	0.20m/s
Conveyor Height	300mm
Max. Load	200kg

Image Performance

Wire Resolution	38 AWG
Steel Penetration	35mm
Display Resolution	1280 × 1024

Image Processing System

Image Enhancement	Color/BW, negative, high/low penetration, organic /inorganic stripping, general enhancement, multi-absorptivity, and suspect material enhancement, etc.
Material Classification	According to atomic number signatures
ROI & Zoom	Step/stepless zoom, up to 32 times enlargement
Image Recall	Preceding images recallable
Image Storage Capability	Up to 50,000

Miscellaneous Functions

Standard Functions	Time/date display, counters, user management, system-on/X-ray-on timers, power on self test, built-in diagnostic facilities, dual-direction scanning, system log, system standby and training, etc.
Optional Functions	Explosives/narcotics detections, high-density area alert, threat image projection (TIP)

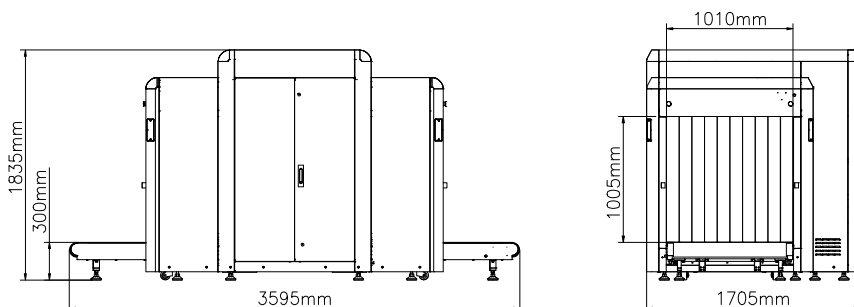
Health and Safety

X-ray Leakage	Less than 1μGy/h (5cm from the housing), complying with all published international standards
Film Safety	Guaranteed for high speed film up to ASA/ISO1600 (33DIN)

Installation Data

Dimensions	3595mm(L) × 1705mm(W) × 1835mm(H)
Weight	1520kg
Storage Temperature / Humidity	-40°C ~ +60°C / 5% ~ 95% (non-condensing)
Operating Temperature / Humidity	0°C ~ +40°C / 5% ~ 95% (non-condensing)
Power Supply	220VAC/ 110VAC (-15% ~ +10%), 50 Hz/60Hz ±3Hz
Power Consumption	15kVA

Note: Image performance specifications are based on test piece complying with CAAC standard.



NUCTECH COMPANY LIMITED

Address: 2/F Block A, Tongfang Building,
Shuangqinglu, Haidian District,
Beijing 100084, P.R.China
Tel: +8610 50980999
Fax: +8610 62788896

NUCTECH HONG KONG COMPANY LIMITED

Address: Rooms 1403-04 on the 14th Floor
of China Resources Building, No.26
Harbour Road, Wanchai, Hong Kong
Tel: +852-27221828
Fax: +852-27221849

NUCTECH SYDNEY PTY LTD.

Address: Suite 404, 77 Dunning Avenue,
Rosebery NSW 2018 Australia
Tel: +612 96622307/96622317
Fax: +612 96622371

NUCTECH WARSAW COMPANY

LIMITED SP. Z O. O.
Address: ul. Pandy 18,02-202 Warsaw Poland
Tel: +48 22 6591545
Fax: +48 22 6581483

NUCTECH COMPANY LTD SUC.

ARGENTINA
Address: ECHEVERRIA 1515, 6A, BELGRANO,
CABA, CP1428. ARGENTINA
Tel: 0054-11-4782 2486
Fax: 0054-11-4785 0726-108

NUCTECH COMPANY LIMITED

(VENEZUELA BRANCH)
Address: Av. San Juan Bosco, Entre 2da y
raTransversal, Centro Altamira, Piso 14,
Ofc. "C", Caracas, Venezuela
Mobile: +58412 321 7001
Tel: +58212 261 1050/261 9074
Fax: +58212 261 0618

NUCTECH MIDDLE EAST FZE

Address: Office 321, Building 5 A, Dubai Airport
Free Zone, P.O.Box 371820, Dubai, U.A.E
Tel: +971-4-2602308
Fax: +971-4-2602306
Email: cuiwei@nuctech.com

Nuctech South Africa (Pty) Ltd.

Address: Unit B13, 5 Galaxy Ave, Linbro Business
Park, Sandton, Johannesburg, South Africa
Tel: +27 (11) 6080480
Fax: +27(11) 6080525

NUCTECH DO BRASIL LTDA.

Address: Rua Bandeira Paulista Road No. 530,
9th floo., room No.91-94, Itaim Bibi
District, São Paulo/SP, Brasil
Tel: +55-11-30785449
Fax: +55 11 30785759

